

**12 VOLT**

# **SOLAR PANEL KITS**

## **MONOCRYSTALLINE**

### **WARNING**

#### **SOLAR PANEL**

- For installations with lead acid batteries, avoid sparks or flames near the batteries and always use proper eye protection
- Given sufficient light, solar panels always generate energy even when they are disconnected
- Accidental 'shorting' of the terminals or wiring can result in sparks causing personal injury or a fire hazard
- Do not scratch or bend solar panels
- Do not disassemble the solar panel
- When mounting solar panels at a height adhere to all relevant safety regulations
- Do not walk on modules
- Do not attempt to increase module output by concentrating light on its surface with mirrors
- Be sure to use components (cables, fuses, etc) greater than 25% of solar panel's maximum current ratings
- When storing the Solar panel kit do not pack heavy items on top the Solar panel bag
- Do not disassemble the controller. Take to a qualified person if the unit requires repairing

### **FEATURE OVERVIEW**

#### **SOLAR PANEL**

**Compact and Powerful** – Monocrystalline solar panels are manufactured from a solar cell that is cast from silicon. These cells are more efficient at producing power than amorphous panels, so the size of the panel is smaller yet produces greater output power

**Lightweight, Foldable Design** – Folds up into a self contained bag for easy storage

**Scratch Resistant** – Panels feature a scratch resistant mat coating for durability

**5m Lead & Battery Clips** – Fused battery lead makes for trouble free battery connection. Front pocket for easy storage

**Heavy Duty Canvas** – Tough canvas material suitable for camping and off-road environments

**Metal Support Legs** – Legs keep the panels at the optimum angle for maximum performance

**Collapsible Tent Pole** – The pole feeds through the sewn in loops to keep the panel rigid when set-up

**Reinforced Eyelets** – Reinforced eyelets allow you to secure the panels using tent pegs, or hang the panels vertically

## SPECIFICATIONS

P/No.	SPM80K	SPM120K
TYPE	MONOCRYSTALLINE	
RATED POWER	80W	120W
OPEN CIRCUIT VOLTAGE	21V	
SHORT CIRCUIT CURRENT	5.0A	7.52A
PEAK POWER VOLTAGE	17.5V	
PEAK POWER CURRENT	4.56A	6.86A
TEST CONDITIONS	1000W/m <sup>2</sup> , 25°C	
FUSE	10A	
BATTERY CONNECTIONS	Battery Clamps	
WEIGHT	4.7kg	6.8kg
APPROVALS	EMC	
BATTERY SIZES	250–900CCA 300–1000MCA 20–140Ah	250–1200CCA 350–1500MCA 40–200Ah
CHARGE TIME	7–35 Hours	

Patent Pending

### SOLAR CONTROLLER

**Advanced MCU** – Features control pulse width modulated (PWM) technology, high efficiency operation.

**Multi-Chemistry** – Target for Gel, AGM, Conventional lead-acid (WET) and Calcium Batteries.

**4 Stage Charging** – Built in regulator to prevent your battery from being overcharged.

Overcharging occurs when the charge voltage is unregulated. This can result in premature battery failure.

The regulator also prevents your battery from being under charged, in the solar energy field, battery undercharge always occurs, especially on some Conventional lead – acid or Calcium batteries; The unit provides an automatic Equalization feature for deeply drained Conventional lead acid batteries or Calcium batteries, as well as provides a cycling automatic Equalizing feature every 28 days.

It keeps the battery fully charged by using a process called “floating”. This means the controller will stop charging when the battery is full and will automatically start charging the battery as required. This process will also reduce water loss and help prevent the battery from ‘drying out’.

**Discharge Protection** – Protects your battery from discharge at night. Under low light or no light conditions the solar panel voltage could be less than the battery voltage. The unit contains a special circuit which prevents current flowing back from the battery and into the solar panel.

**LED Indicators** – Coloured LED’s to easily indicate the operational status and battery conditions.

**Unit Protection** – Multi charging protects against reverse polarity, short circuit, over temperature, over voltage, etc.

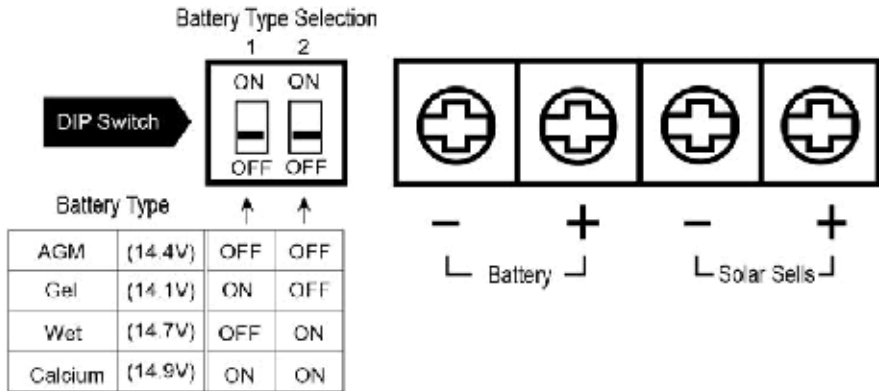
## BATTERY TYPE SELECTION

Please check your battery manufacturer's specifications to select correct battery type.

The unit provides 4 battery types for selections: Gel, AGM, WET (conventional lead acid), and Calcium.

There is a DIP switch at the back of the solar charge controller, this Dip switch is used for presetting your battery type. Please refer to Figure 1.1 to make DIP switch setting for the proper battery chemical; the factory default setting is at AGM battery type.

**Figure 1.1:** Battery Type Setting via DIP switch



**Note:** Once the Dip switch setting or external wire connection is finished, do not freely change the DIP switch or external wire connected; otherwise it may damage your battery.

## CHARGING STAGES

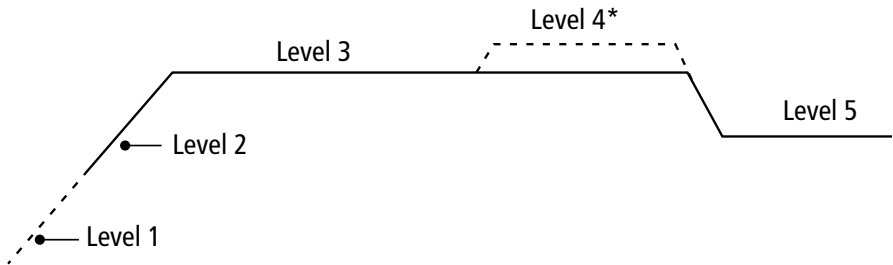
**Soft Charge (Level 1)** – When batteries suffer an over-discharge, the controller will softly ramp the battery voltage up to 10V.

**Bulk Charge (Level 2)** – Maximum current charging until batteries rise to Absorption level

**Absorption Charge (Level 3)** – Constant voltage charging and battery is over 85%.

**Equalization Charge\* (Level 4)** – Only for WET battery or Calcium battery type, when the battery is deeply drained below 10V, it will automatically run this stage to bring the internal cells as an equal states and fully complement the loss of capacity.(Gel and AGM battery do not run Equalization charge)

**Float Charge (Level 5)** – Battery is fully charged and maintained at a safe level. A fully charged battery has a voltage of more than 13.6 Volts.



## LED OPERATION

The 3 LED's indicate the charging status and Fault connection	Fault Red	Charge Blue	Full Green
Solar Power Present – No battery connected	ON	Slow Flash	Slow Flash
Battery reversed	ON	Fast Flash	Fast Flash
Solar panel reversed	OFF	OFF	OFF
Soft start charging	OFF	Slow Flash	OFF
Bulk, Absorption Equalisation charging	OFF	ON	OFF
Float charging	OFF	OFF	ON
Solar panel weak	Slow Flash	OFF	OFF
At night no charge	OFF	OFF	OFF

Slow flash = 1 Hz flash, Fast flash = 3 Hz flash

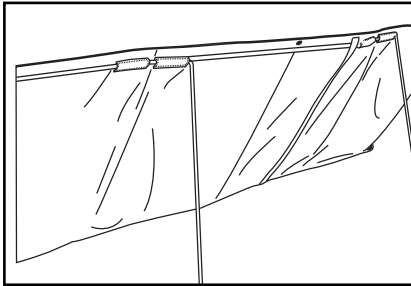
# SOLAR CONTROLLER SPECIFICATIONS

<b>1</b>	<b>Electrical Parameters</b>			
1-1-1	Rated solar panel amps – SPM80K	8	Max.	AMP
1-1-2	Rated solar panel amps – SPM120K	12	Max.	AMP
1-2	Normal input Solar cell array voltage	15–22		VDC
1-3	Max. solar cell array voltage (output has no load)	25	Max.	VDC
1-4	The controller lowest operating voltage (at solar or battery side)	8V	Min	VDC
1-5	Standby current consumption at night	5	Max	mA
1-6	Maximum voltage drop-Solar panel to battery	0.25	Max.	VDC
<b>2</b>	<b>Charging characteristics</b>			
2-1	Minimum battery start charging voltage	3	Min	VDC
2-2	Soft start charging voltage	3-10	+/-0.2	VDC
2-3	Soft start charging current (50% PWM duty)			
2-4	Bulk charge voltage 10-14.0 +/-0.2 VDC			
2-5	Absorption charging voltage at 25°C			
	• Gel type battery	14.1	+/-0.2	VDC
	• AGM type battery (default setting)	14.4	+/-0.2	VDC
	• WET type battery	14.7	+/-0.2	VDC
	• Calcium type battery	14.9	+/-0.2	VDC
2-6	Absorption transits to Equalizing or Float condition:			
	• Charging current drops to :			
	– SPM80K	0.5	+/-0.1	AMP
	– SPM120K	0.75	+/-0.1	AMP
	• or Absorption charging timer timed out	4		Hour
2-7	Equalization charging active			
	• Only for WET or Calcium battery			
	• Battery voltage discharged to less than	10	+/-0.2	VDC
	• Automatic equalizing charging periodical	28		Day
2-8	Equalization charging voltage	15.5	+/-0.2	VDC
2-9	Equalization charging timer timed out	2		Hour
2-10	Float charging voltage	13.6	+/-0.2	VDC
2-11	Voltage control accuracy	+/- 1%		
<b>3</b>	<b>Protection</b>			
3-1	Against reverse polarity or short circuit at panel side			
3-2	Against reverse polarity or short circuit at battery side			
3-3	No reverse current from battery to solar at night			
3-4	Over temperature protection during charging	65		°C
3-5	Transient over voltage protection with TVS or varistor			
<b>4</b>	<b>Electrical parts</b>			
4-1	Input output terminal		M4 terminals	
4-2	Temperature sensor port (Press and Release type)		DA 250-350 2P	
<b>5</b>	<b>Physical Parameters</b>			
5-1	Controller material		Plastic, Standard ABS	
5-2	Power terminal maximum stranded wire size		#12 AWG stranded-3 mm <sup>2</sup>	
5-3	Mounting		Vertical wall mounting	
5-4	IP grade		IP22	
5-5	Net weight Approx.		250g	
<b>6</b>	<b>Environmental characteristics</b>			
6-1	Operating temperature		-25 ~ 50°C	
6-2	Storage temperature		-40 ~ 85°C	
6-3	Operating Humidity range		100% no condensation	

## INSTALLATION & CONNECTION

### STEP 1 Locate the panel in the best position

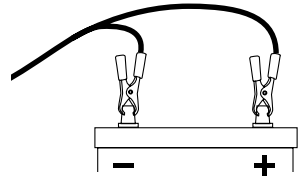
Locate the panel in a position where it is exposed to the sun for the majority of the day. For Best results use a northern orientation. The panel will function in the horizontal or hung position, however for best performance tilt the panels so they directly face the sun.



- A. For stability feed the supplied collapsible tent pole through the canvas loops
- B. Insert metal support legs into the canvas loops along the top of the panels

### STEP 2 Connect to the battery

Connect the 5 meter lead to the battery, Red clamp to the positive (+) terminal and Black clamp to the negative (-) terminal. The solar panel will now be charging the battery. Refer to Solar Controller Instructions, 'Operation – L.E.D Indication' (page 4) for further details of charging status.



### STEP 3 Secure the solar panel to the ground

Secure by pushing the legs into the ground. For greater set-up stability secure the panel to the ground by using tent pegs which can be fed through the eyelets of the solar panel and through the holes at the lower end of the supplied legs.

## MAINTENANCE

Periodically inspect the electrical and mechanical connections. Make sure they are all tight and free from corrosion. If necessary clean the surface of the solar panels with a soft damp cloth. Mild detergent can also be used. Any dirt or residue on the PVC may effect performance.

## FREQUENTLY ASKED QUESTIONS

### Q. Can the solar panel be mounted on a flat roof or wall?

A. Yes. It is fine to mount the panel on a horizontal surface such as a roof or on a vertical surface like a wall as long as the panel receives full sun for a reasonable period of the day. You will however gain better performance if the panel is tilted toward the sun and faced in a northerly direction, since this enables the maximum amount of solar energy to reach the panel.

### Q. What current output can I expect?

A. The current output (mA) of the solar panel is based mostly on the available solar energy (sun rays). The current ratings (Peak Power) given in the specifications table are based on the 'ideal' sunlight conditions. In reality this may be achieved only on a very bright sunny day. The normal current output will therefore be a little lower. If the panel is shaded or if it is a very hot day the output will decrease further.

### Q. Will it charge my flat battery & how long will it take?

A. The SPM80K will charge a flat battery (above 9V) 250-900CCA (Automotive) with a charge time of 7-35Hrs. The SPM120K will charge a flat battery (above 9V) 250-1200CCA (Automotive) with a charge time of 7-35Hrs.

### Q. I am going on a 4WD trip, will 80 Watts or 120 Watts be enough?

A. It really comes down to how many appliances are drawing power from your battery.  
For example:

Most people when they go away would run a Fridge, and a couple of lights to cook with etc.  
We need to work out how much power would be used in a day.

#### Energy consumption per day

If we say we get around 10 hours of solar energy from the panels per day (for summer months).  
We can then calculate what size and how many panels we need.

$45 \text{ amps} \div 10 \text{ hours} = 4.5 \text{ Amps per hour}$

Appliance	Current use/hour (Ah)	Total time of use/day (Hours)	Total Current per day (Amps)
Fridge	1.5	24	36
3 Lights	3	3	9
<b>Grand Total</b>			<b>45</b>

So the SPM80K solar panel kit produce 5.0 Amps an hour, this should be more than enough.

You might find that during cloudy weather you will have to charge the battery by running your car for half an hour every second or third day.

## **WARRANTY STATEMENT**

### **Applicable only to product sold in Australia**

Brown & Watson International Pty Ltd of 1500 Ferntree Gully Road, Knoxfield, Vic., telephone (03) 9730 6000, fax (03) 9730 6050, warrants that all products described in its current catalogue (save and except for all bulbs and lenses whether made of glass or some other substance) will under normal use and service be free of failures in material and workmanship for a period of one (1) year (unless this period has been extended as indicated elsewhere) from the date of the original purchase by the consumer as marked on the invoice. This warranty does not cover ordinary wear and tear, abuse, alteration of products or damage caused by the consumer.

To make a warranty claim the consumer must deliver the product at their cost to the original place of purchase or to any other place which may be nominated by either BWI or the retailer from where the product was bought in order that a warranty assessment may be performed. The consumer must also deliver the original invoice evidencing the date and place of purchase together with an explanation in writing as to the nature of the claim.

In the event that the claim is determined to be for a minor failure of the product then BWI reserves the right to repair or replace it at its discretion. In the event that a major failure is determined the consumer will be entitled to a replacement or a refund as well as compensation for any other reasonably foreseeable loss or damage.

This warranty is in addition to any other rights or remedies that the consumer may have under State or Federal legislation.

### **IMPORTANT NOTE**

Our goods come with guarantees that cannot be excluded under the Australian Consumer Law. You are entitled to a replacement or refund for a major failure and compensation for any other reasonably foreseeable loss or damage. You are also entitled to have the goods repaired or replaced if the goods fail to be of acceptable quality and the failure does not amount to a major failure.

#### **Distributed by**

##### **AUSTRALIA**

**Brown & Watson International Pty Ltd**

Knoxfield, Victoria 3180

Telephone (03) 9730 6000

Facsimile (03) 9730 6050

National Toll Free 1800 113 443

##### **NEW ZEALAND**

**Narva New Zealand Ltd**

22–24 Olive Road

PO Box 12556 Penrose

Auckland, New Zealand

Telephone (09) 525 4575

Facsimile (09) 579 1192