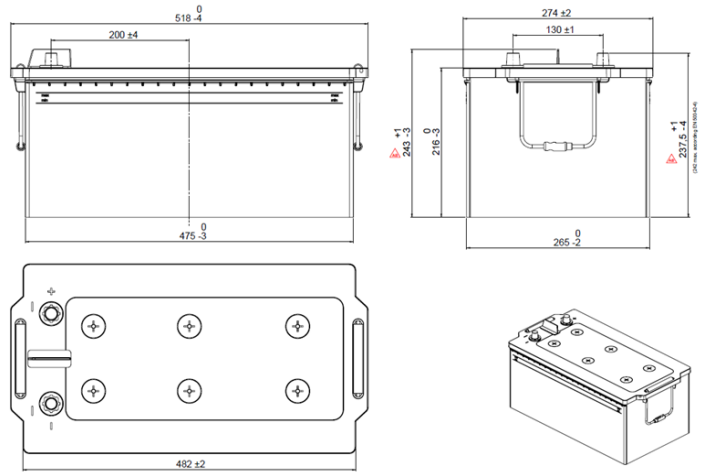


### Technical Information

The Delkor DIN C – N230 is a Maintenance Free starting battery. This is a high capacity battery designed to perform in applications where run time and overall capacity is a critical requirement. Built to the unrivalled quality standards you expect from Delkor.

Although not normally required, the battery features caps which allow it to be topped up with distilled water in extreme heat applications.



### Features & Benefits

- High durability plate design
- High density active material
- High tin content resists corrosion
- Low self discharge
- Patented liquid & gas separator to prevent electrolyte loss

Applications
Road Transport
Buses & Coaches
Large Capacity Farm Machinery

Technical Specifications			
<b>Battery Type</b>	Calcium Maintenance Free	<b>Case Material / Colour</b>	Polypropylene / Black
<b>Voltage</b>	12V	<b>Lid Type / Colour</b>	MF Accessible / Black
<b>Capacity (20Hr)</b>	230Ah	<b>Plate Type</b>	Expanded Positive & Negative Grids
<b>CCA (-18°C, SAE)</b>	1200CCA	<b>Separator Type</b>	Low Resistance PE Envelope
<b>Reserve Capacity (25A, SAE)</b>	490 minutes	<b>Assembly Layout</b>	LH Positive [+ -]
<b>Overall Dimensions (LxWxH)</b>	518 x 276 x 244mm	<b>Terminal Type</b>	SAE Standard
		<b>Case Size</b>	DIN C (N200)
<b>Nominal Weight</b>	56.0kg	<b>Ledges</b>	None